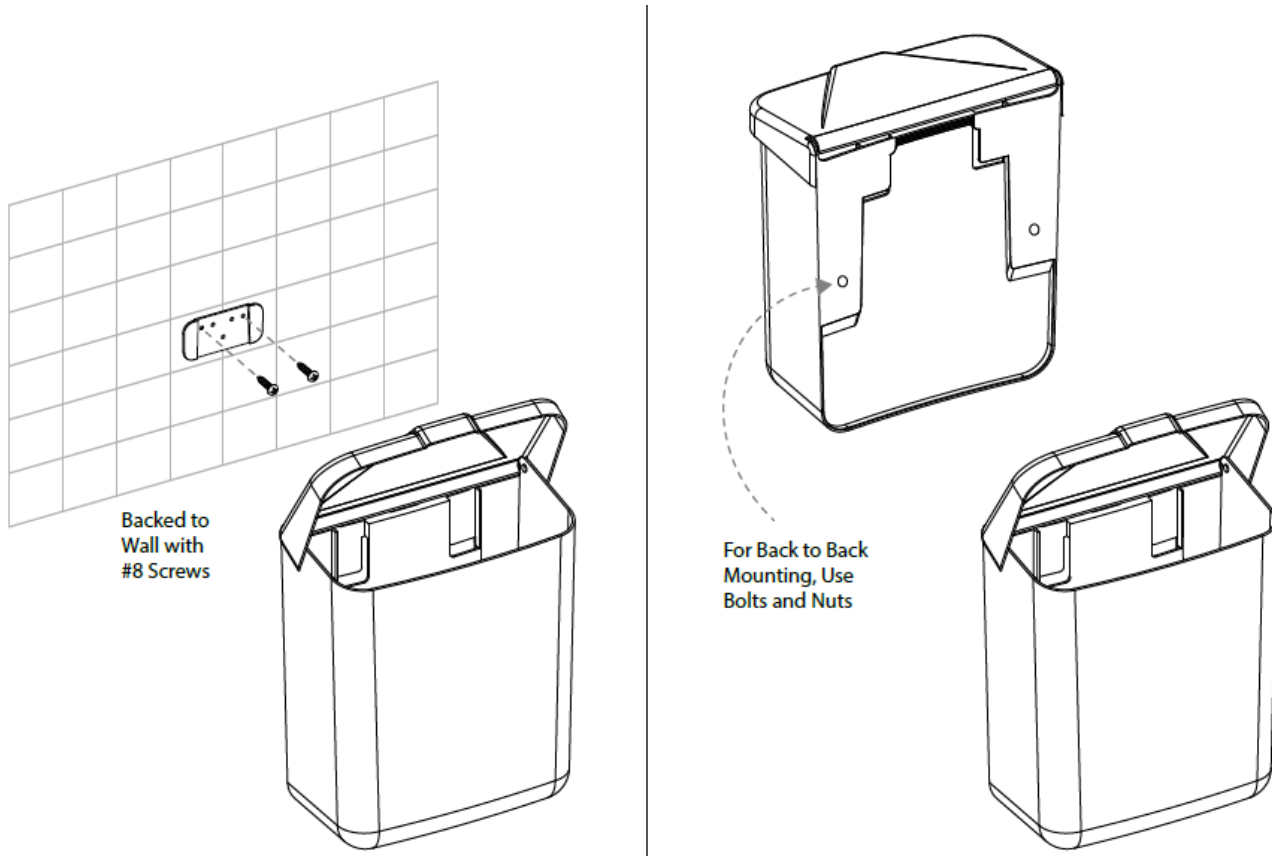


CONVERTIBLE SANITARY NAPKIN RECEPTACLES - ITEM: 250-201W

MOUNTING INSTRUCTIONS



MODEL NO. 250-201W

INSTALLED IN SECONDS

CAN BE EASILY REMOVED FROM WALL TO EMPTY OR SIMPLY REMOVE LINER.

ONE UNIT SERVES TWO PURPOSES:

- 1) Single unit is wall mounted with screws.
 - 2) For floor type unit, two single units are attached to each other and placed on floor, serving two stalls.
- **COMPLETELY WASHABLE** – White PPC, PolyPropylene Copolymer material **WILL NEVER RUST.**
 - DURABLE, NO SHARP EDGES – GUARANTEED FOR ONE YEAR EXCEPT FOR VANDALISM.
 - **SHIPPED WITH:** - Mounting bracket, sample liner.
 - Deodorant block can be placed in bottom of unit.
 - The 250-201W receptacle uses Scensibles® Poly Liners: LBSF500HD, LBM500; or Waxed Paper Liner: KL; Liners packed 500/case

UNIT DIMENSIONS: 8.75" x 4.875" x 10.5"

WEIGHT: 1 lb.

PACKAGING: 12 individually boxed receptacles to master carton (can be shipped in lots of less than 12)